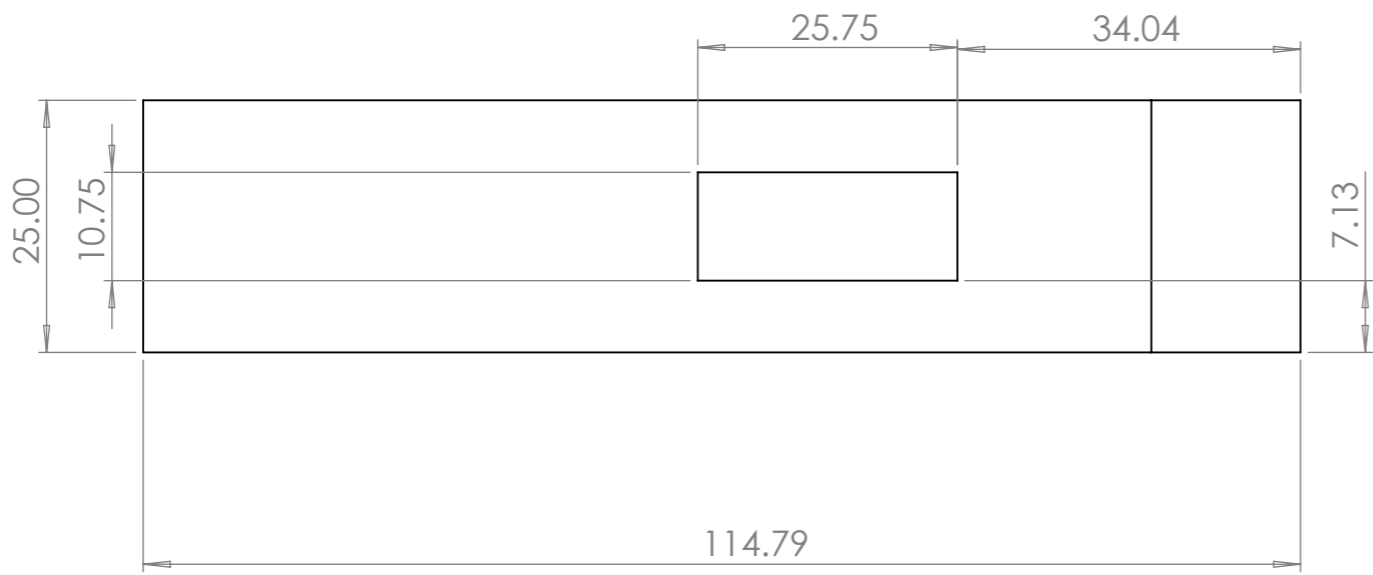
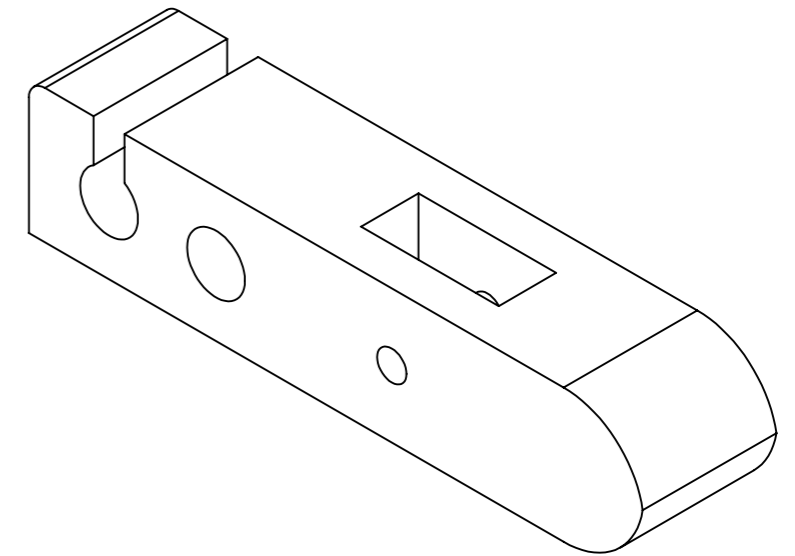
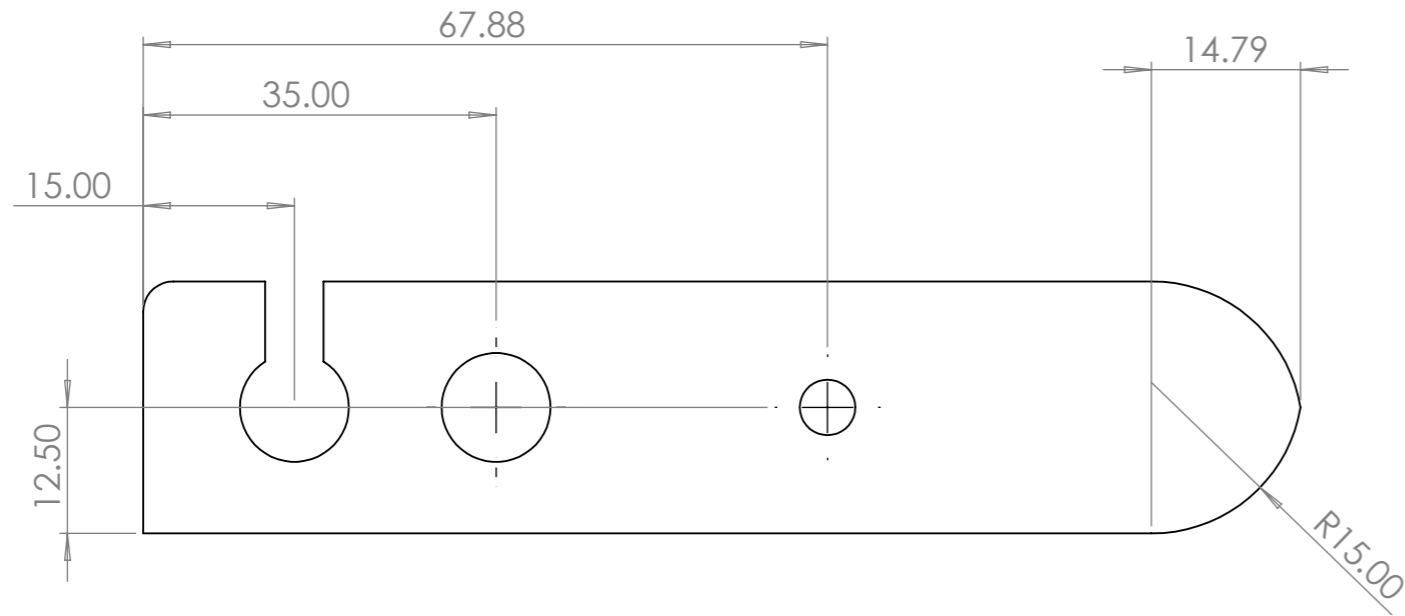
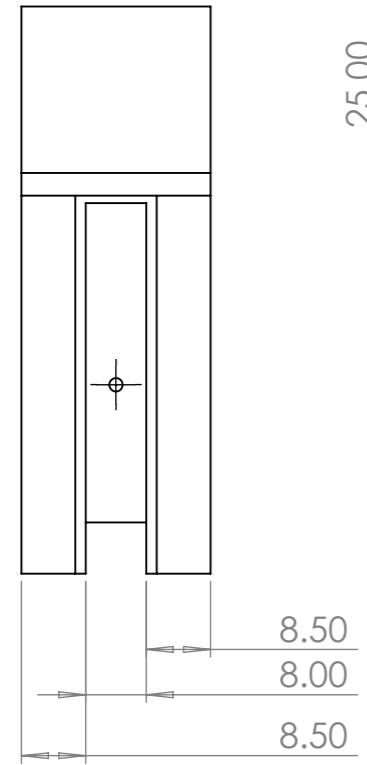
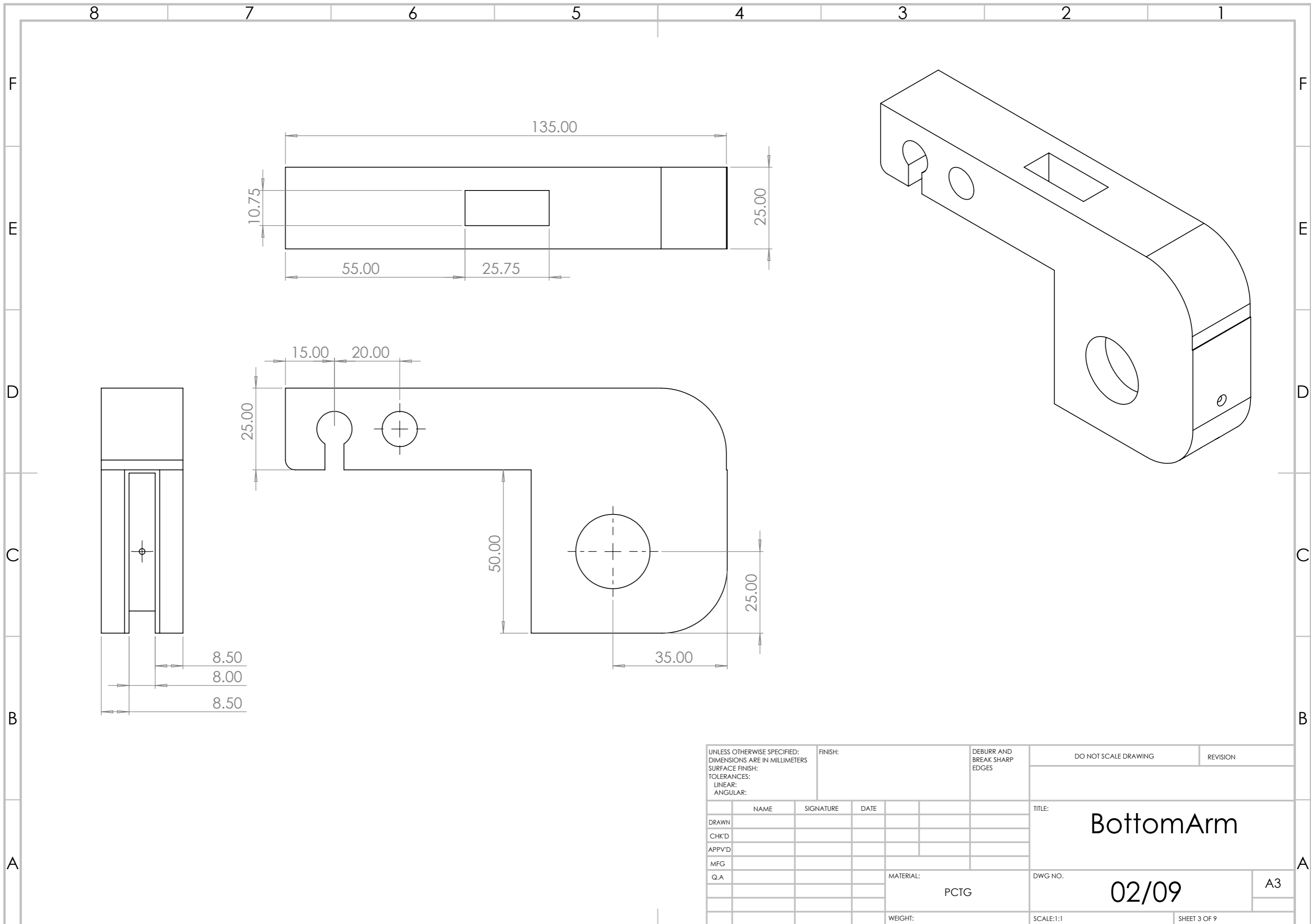


ITEM NO.	PART NUMBER	DESCRIPTION	QTY.
1	newTopMember	Top Body of Device	1
2	newBottomMember	Bottom Body of Device	1
3	MouthPiece	Mouthpieces That Interact With Patient	2
4	newGear	Gear that Slides the Bottom Body up or down	1
5	NewRuler (with numbers)	Ruler that Is used to measure Incisor opening (mm)	1
6	TopArm	Turn Dial That Opens Device	1
7	newDialPartOne	Cover for Other End of Dial	1
8	RetainerPin	Pin That Retains Ruler to Top Body	1

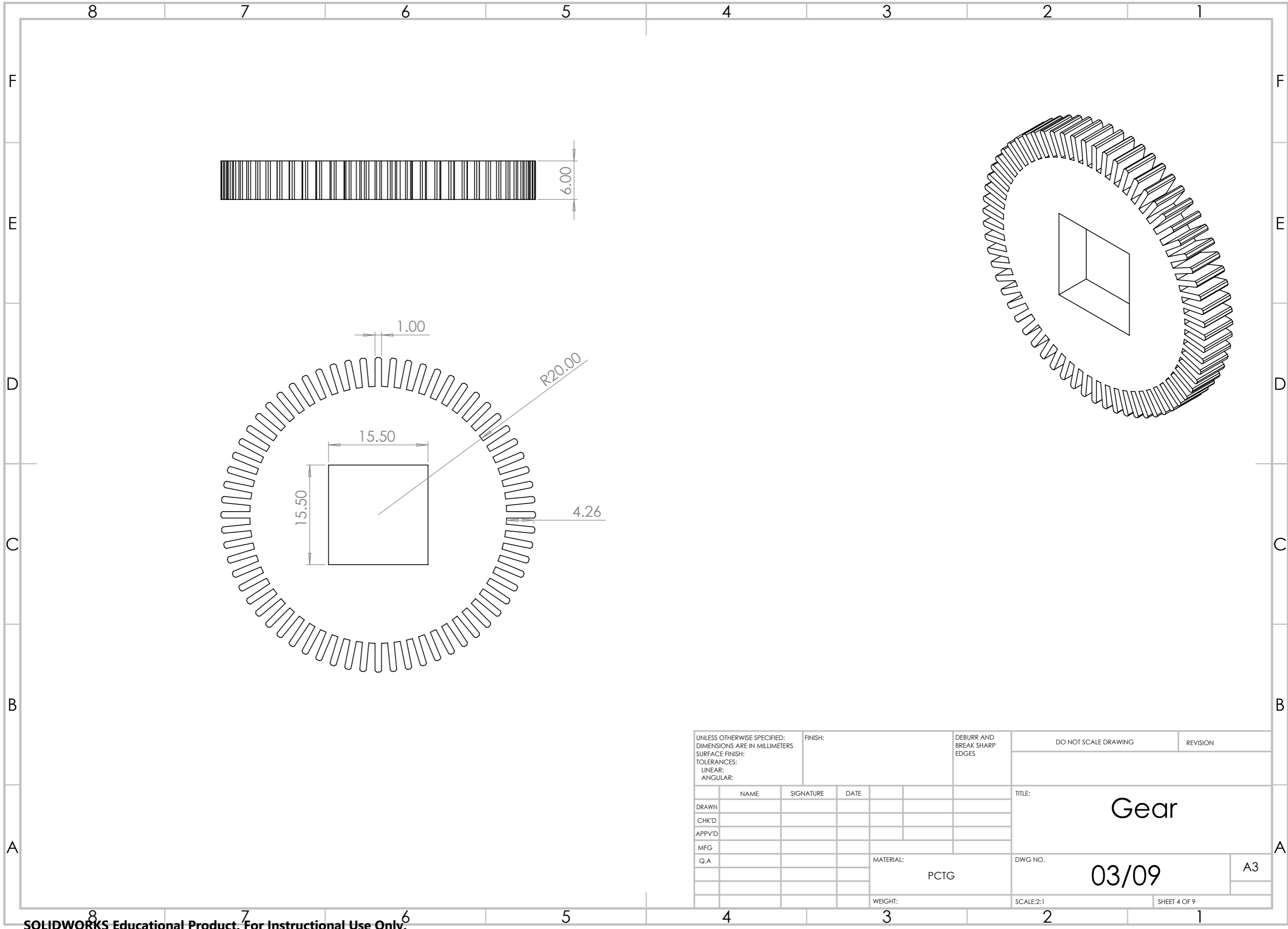
UNLESS OTHERWISE SPECIFIED: DIMENSIONS ARE IN MILLIMETERS SURFACE FINISH: TOLERANCES: LINEAR: ANGULAR:		FINISH:	DEBURR AND BREAK SHARP EDGES	DO NOT SCALE DRAWING	REVISION: 7
NAME	SIGNATURE	DATE	TITLE: TrisPrint Full Design		
DRAWN Nathan Bastidas		10/7/2024			
CHK'D					
APPV'D					
MFG					
Q.A			MATERIAL: PCTG	DWG NO. 00	A3
WEIGHT:		SCALE:1:2	SHEET 1 OF 9		



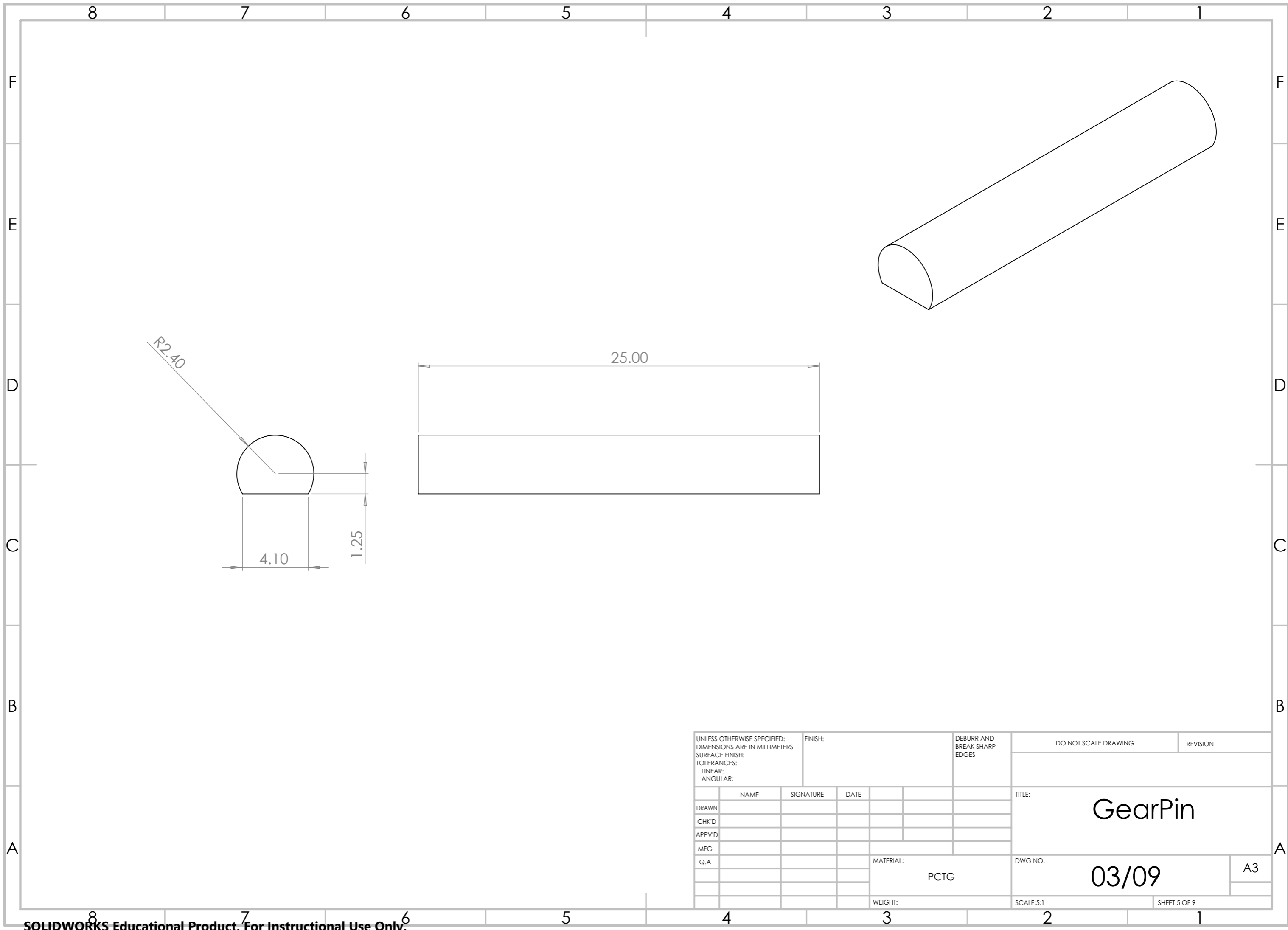
UNLESS OTHERWISE SPECIFIED: DIMENSIONS ARE IN MILLIMETERS SURFACE FINISH: TOLERANCES: LINEAR: ANGULAR:			FINISH:		DEBURR AND BREAK SHARP EDGES		DO NOT SCALE DRAWING		REVISION				
							TITLE: TopArm						
							MATERIAL: PCTG		DWG NO. 01/09			A3	
							WEIGHT:		SCALE:1:1		SHEET 2 OF 9		
NAME	SIGNATURE	DATE											
DRAWN													
CHK'D													
APPV'D													
MFG													
Q.A													



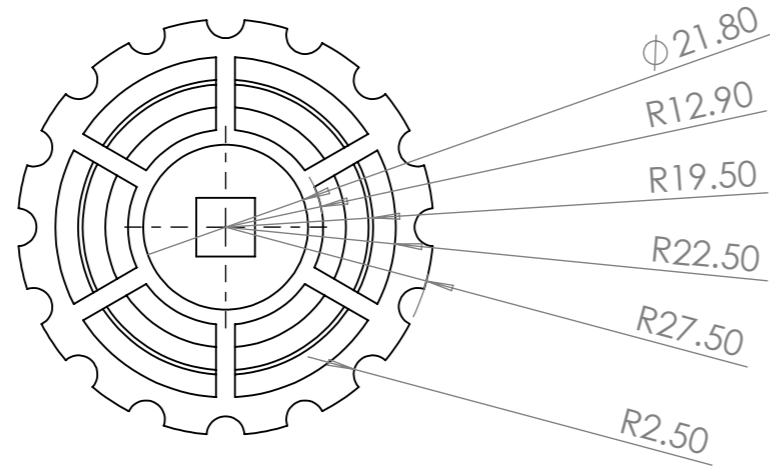
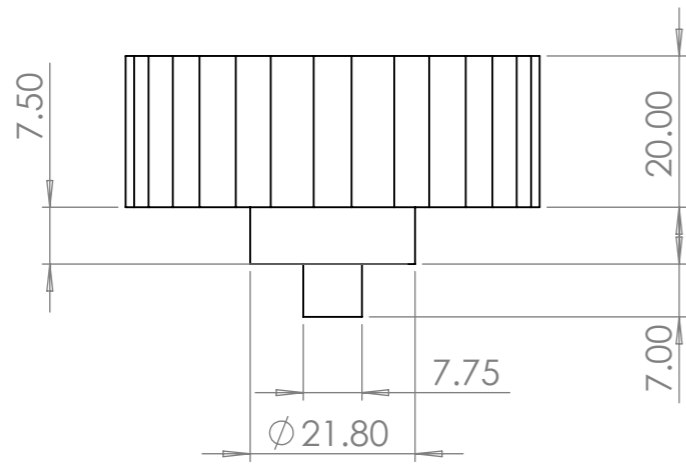
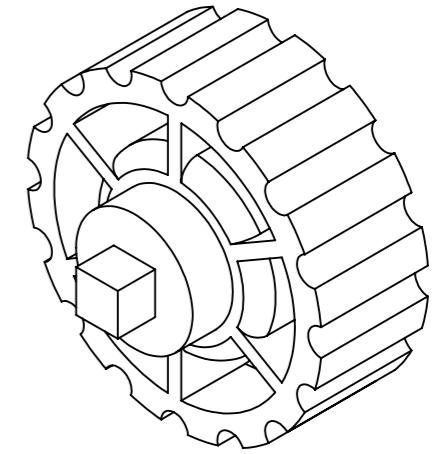
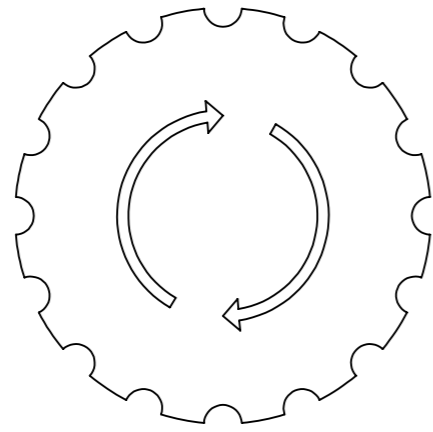
UNLESS OTHERWISE SPECIFIED: DIMENSIONS ARE IN MILLIMETERS SURFACE FINISH: TOLERANCES: LINEAR: ANGULAR:				FINISH:		DEBURR AND BREAK SHARP EDGES		DO NOT SCALE DRAWING		REVISION	
DRAWN				NAME		SIGNATURE		DATE		TITLE: BottomArm	
CHK'D											
APPV'D											
MFG											
Q.A								MATERIAL: PCTG		DWG NO. 02/09	
								WEIGHT:		SCALE:1:1	
										SHEET 3 OF 9	



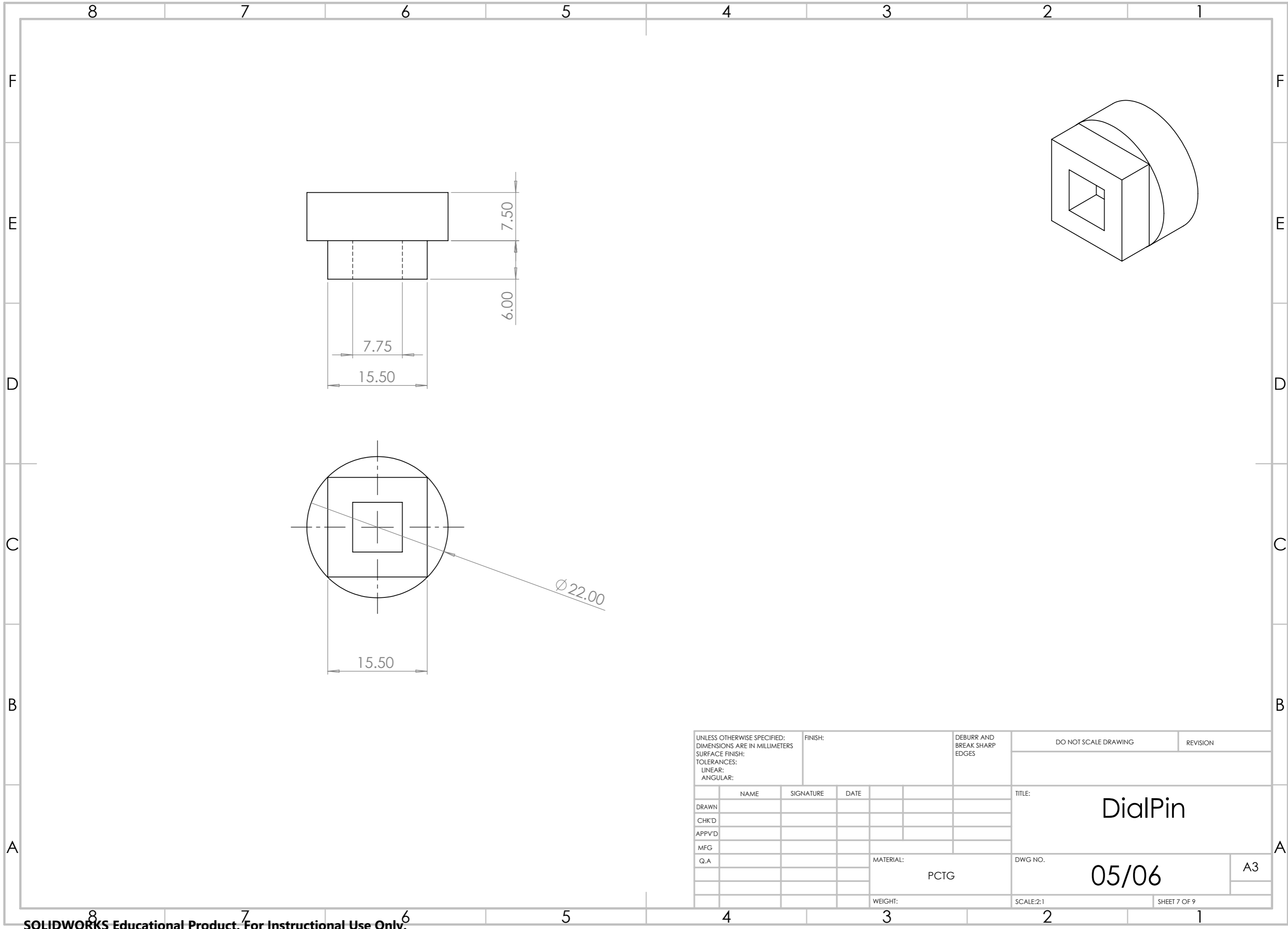
UNLESS OTHERWISE SPECIFIED: DIMENSIONS ARE IN MILLIMETERS SURFACE FINISH: TOLERANCES: LINEAR: ANGULAR:				FINISH:		DEBURR AND BREAK SHARP EDGES		DO NOT SCALE DRAWING		REVISION			
						TITLE: Gear							
						MATERIAL: PCTG				DWG NO. 03/09		A3	
						WEIGHT:		SCALE:2:1		SHEET 4 OF 9			
DRAWN	NAME	SIGNATURE	DATE										
CHK'D													
APPV'D													
MFG													
Q.A													



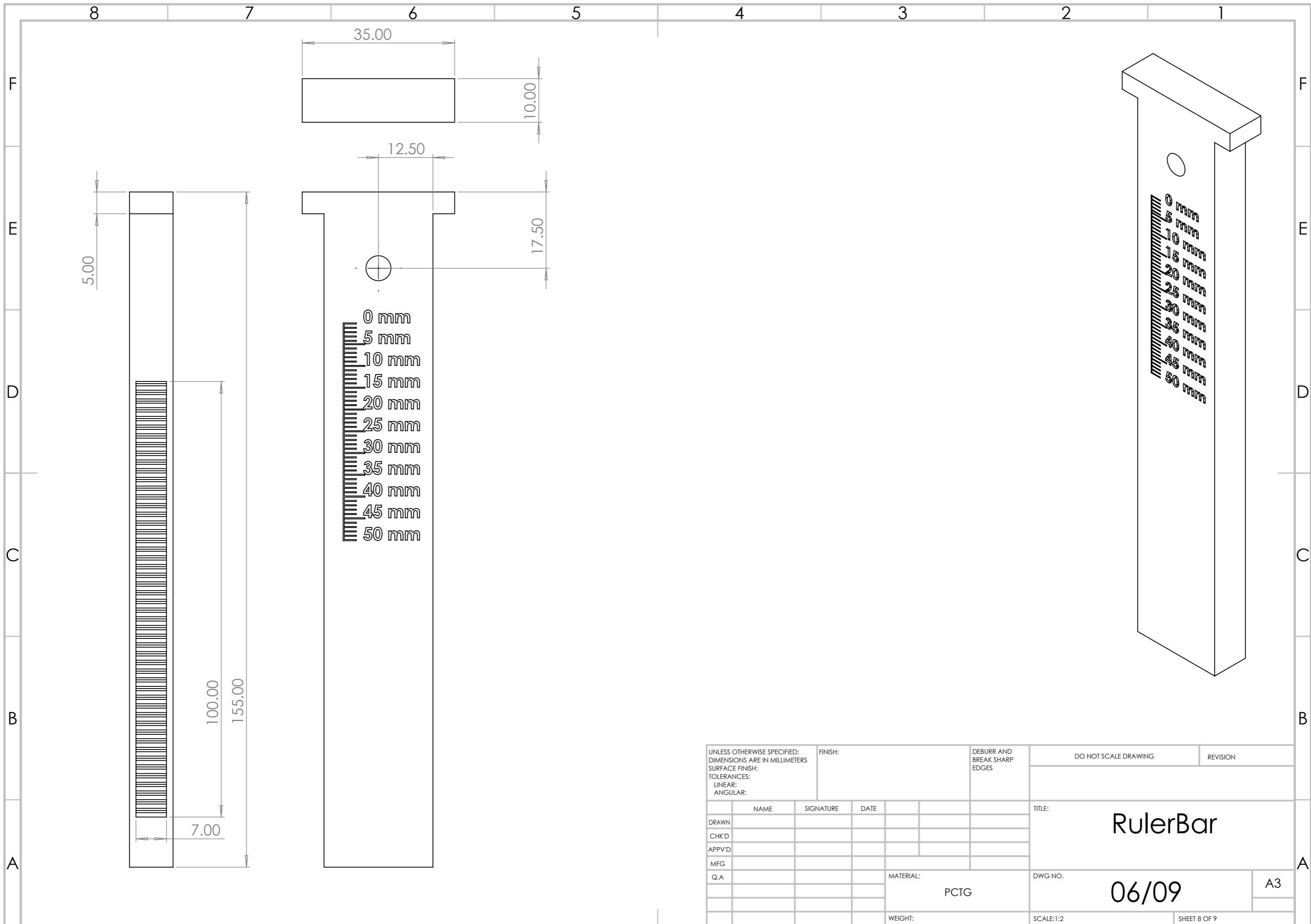
UNLESS OTHERWISE SPECIFIED: DIMENSIONS ARE IN MILLIMETERS SURFACE FINISH: TOLERANCES: LINEAR: ANGULAR:				FINISH:		DEBURR AND BREAK SHARP EDGES		DO NOT SCALE DRAWING		REVISION	
DRAWN						TITLE: GearPin					
CHK'D											
APPV'D											
MFG											
Q.A						MATERIAL: PCTG		DWG NO. 03/09		A3	
						WEIGHT:		SCALE:5:1		SHEET 5 OF 9	



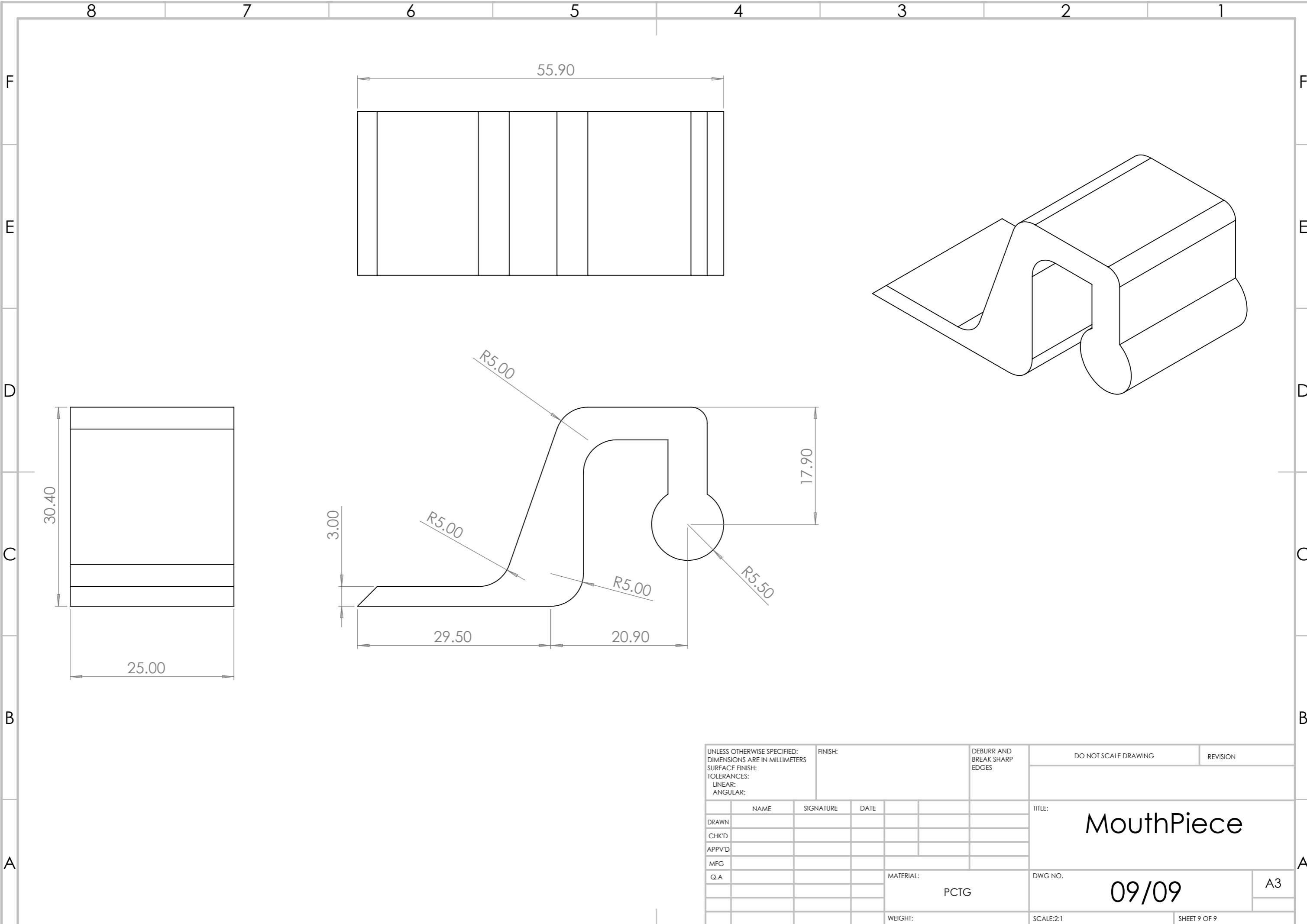
UNLESS OTHERWISE SPECIFIED: DIMENSIONS ARE IN MILLIMETERS SURFACE FINISH: TOLERANCES: LINEAR: ANGULAR:				FINISH:		DEBURR AND BREAK SHARP EDGES		DO NOT SCALE DRAWING		REVISION			
								TITLE: Dial DWG NO. 04/09 SCALE: 1:1					
DRAWN		NAME		SIGNATURE		DATE						A3	
CHK'D													
APPV'D													
MFG													
Q.A								MATERIAL: PCTG		SHEET 6 OF 9			
								WEIGHT:		SCALE: 1:1			



UNLESS OTHERWISE SPECIFIED: DIMENSIONS ARE IN MILLIMETERS			FINISH:		DEBURR AND BREAK SHARP EDGES		DO NOT SCALE DRAWING		REVISION	
SURFACE FINISH:										
TOLERANCES:										
LINEAR:										
ANGULAR:										
	NAME	SIGNATURE	DATE				TITLE: DialPin			
DRAWN										
CHK'D										
APPV'D										
MFG										
Q.A							MATERIAL: PCTG		DWG NO. 05/06	
							WEIGHT:		SCALE:2:1	
									SHEET 7 OF 9	



UNLESS OTHERWISE SPECIFIED: DIMENSIONS ARE IN MILLIMETERS			FINISH:		DEBURR AND BREAK SHARP EDGES		DO NOT SCALE DRAWING		REVISION	
SURFACE FINISH:										
TOLERANCES:										
LINEAR:										
ANGULAR:										
		NAME	SIGNATURE	DATE			TITLE:		RulerBar	
DRAWN										
CHK'D										
APPV'D										
MFG										
Q.A					MATERIAL:		DWG NO.		A3	
					PCTG		06/09			
					WEIGHT:		SCALE:1:2		SHEET 8 OF 9	



UNLESS OTHERWISE SPECIFIED: DIMENSIONS ARE IN MILLIMETERS SURFACE FINISH: TOLERANCES: LINEAR: ANGULAR:			FINISH:		DEBURR AND BREAK SHARP EDGES		DO NOT SCALE DRAWING		REVISION			
					TITLE: MouthPiece							
					MATERIAL: PCTG					DWG NO. 09/09		A3
					WEIGHT:					SCALE:2:1		SHEET 9 OF 9